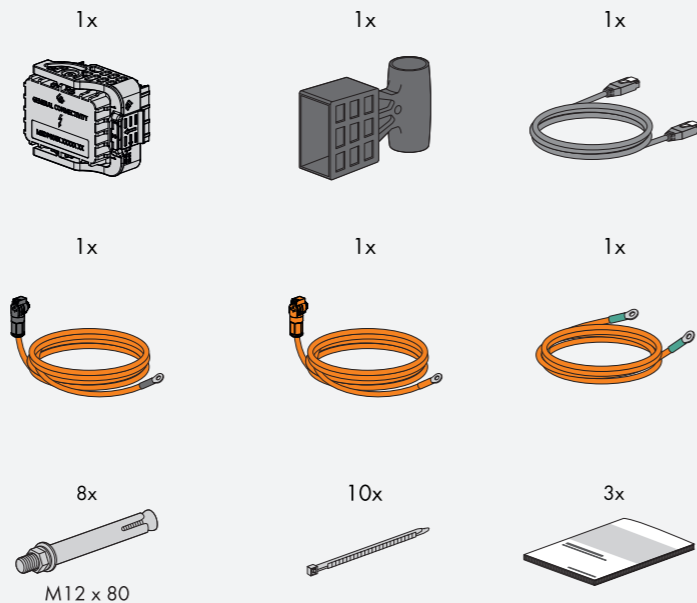
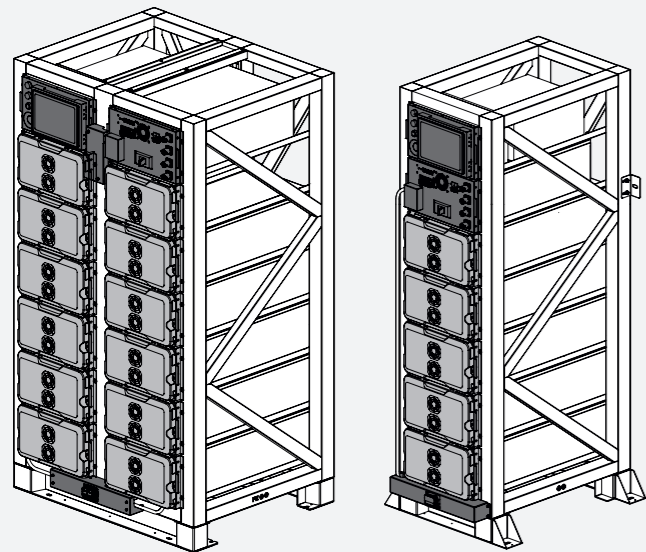




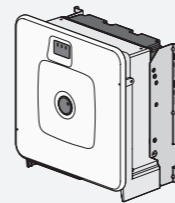
SMA Storage XL

CS-89-IN-30 / CS-197-IN-30

1



2

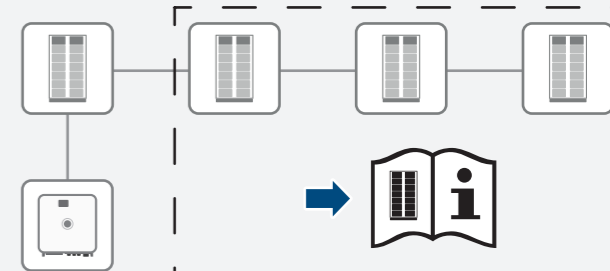


Sunny Tripower Storage X 30
Sunny Tripower Storage X 50
Sunny Island X 30
Sunny Island X 50



SMA Commercial Energy Meter 200 A
SMA Commercial Energy Meter 600 A
Power Quality Analyser UMG 604 E

3



4



IP20 indoor

+55 °C (+131 °F)
0 °C (32 °F)

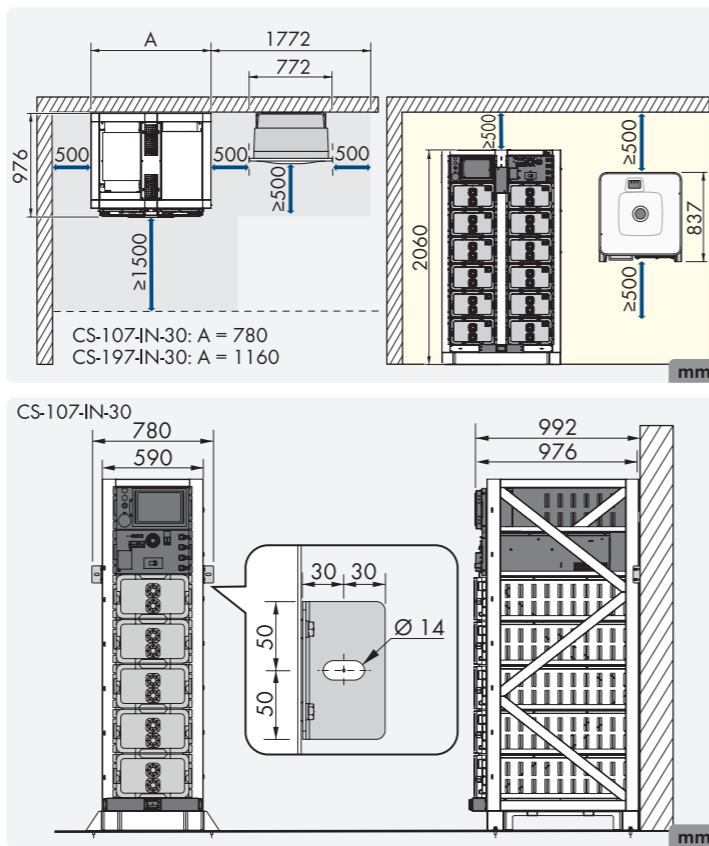
max. 3000 m (max 9843 ft)

90°
0°

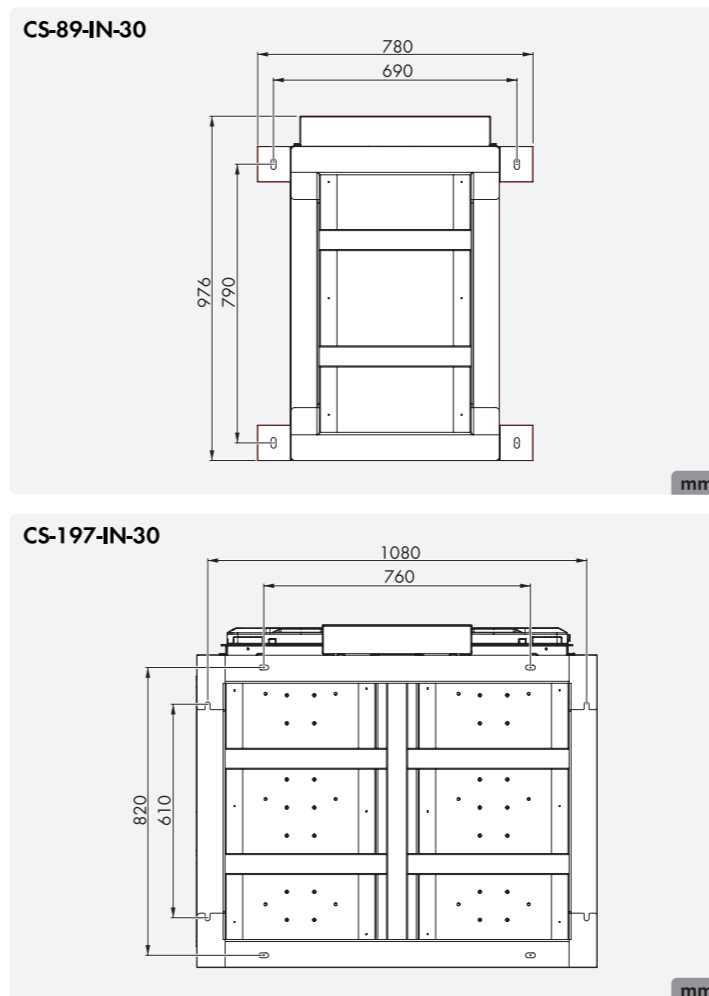
941 kg (2075 lb)
CS-107-IN-30

1797 kg (3962 lb)
CS-197-IN-30

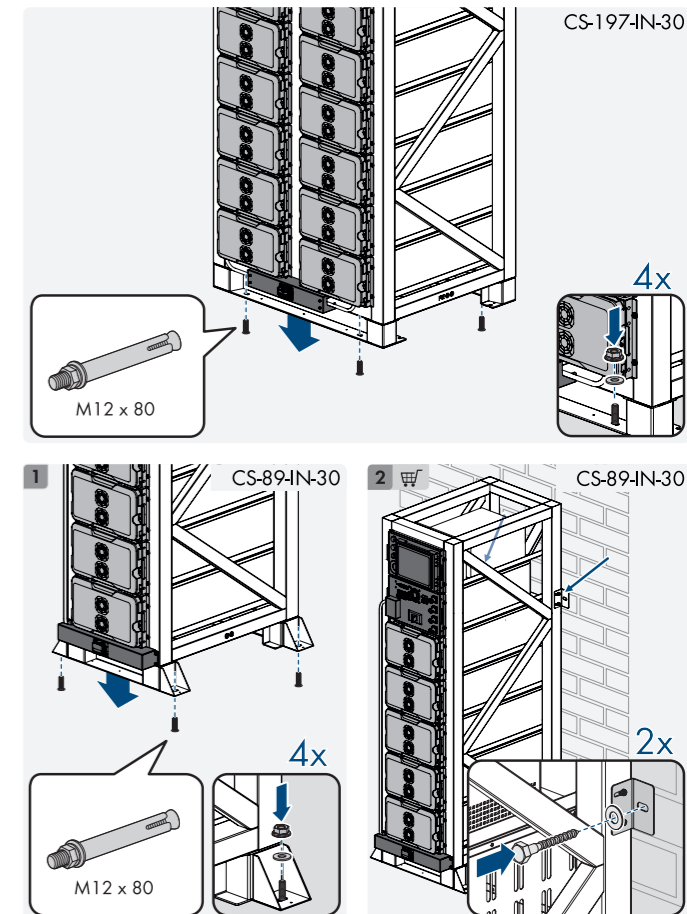
5



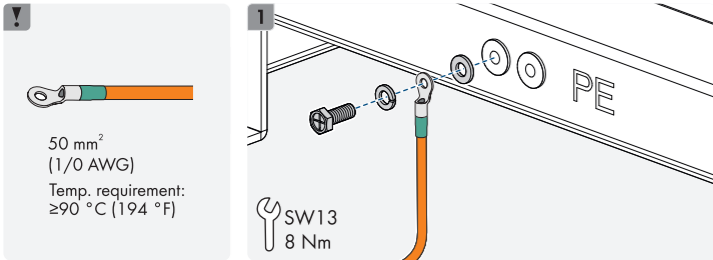
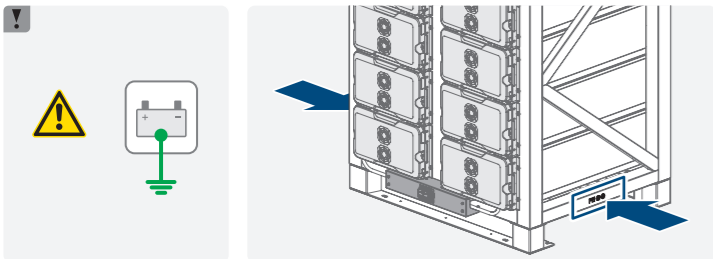
5



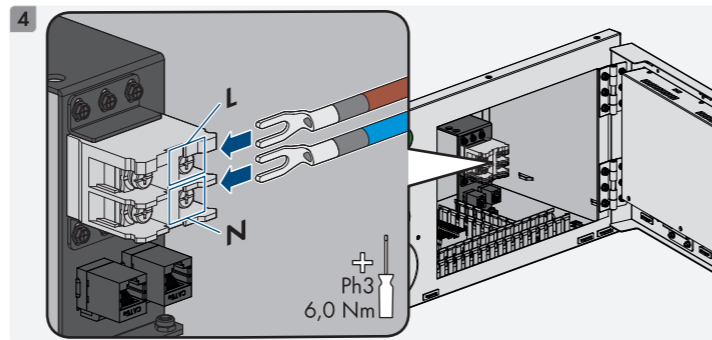
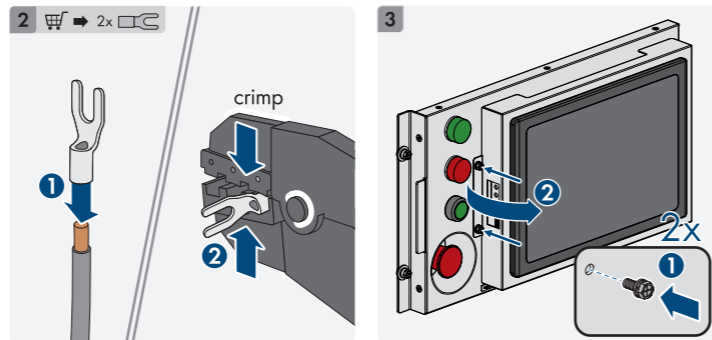
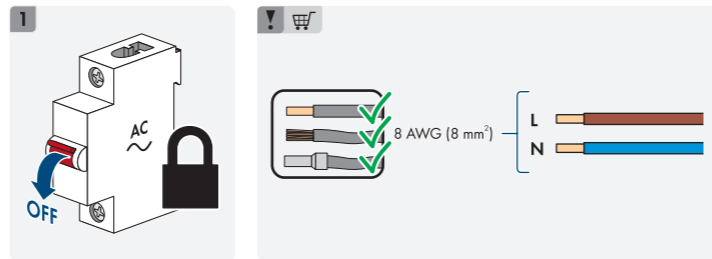
5



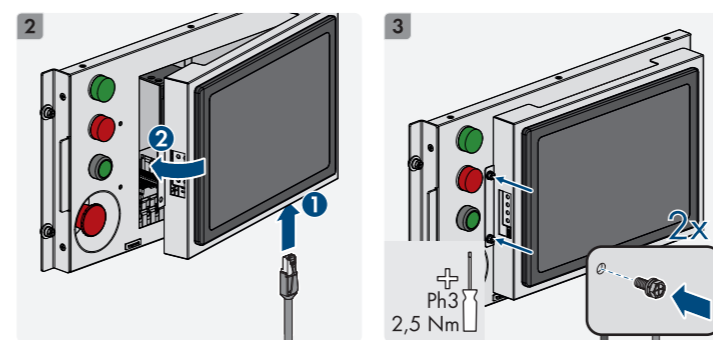
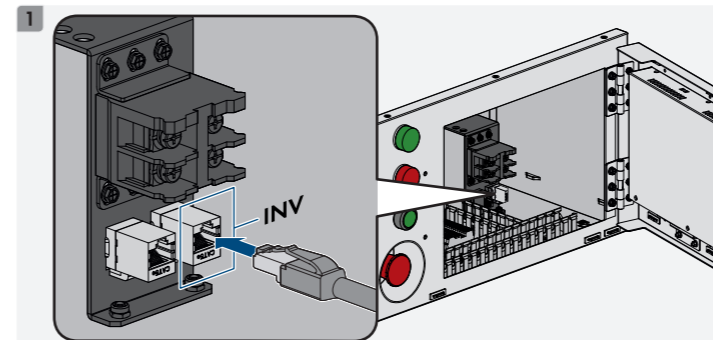
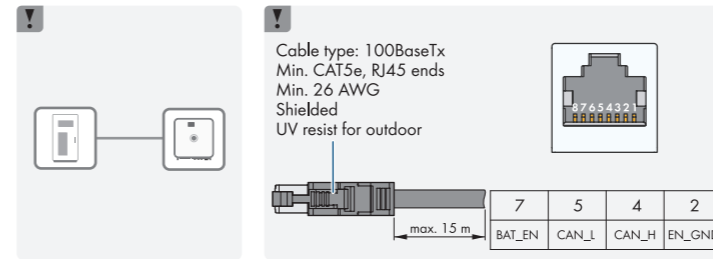
6



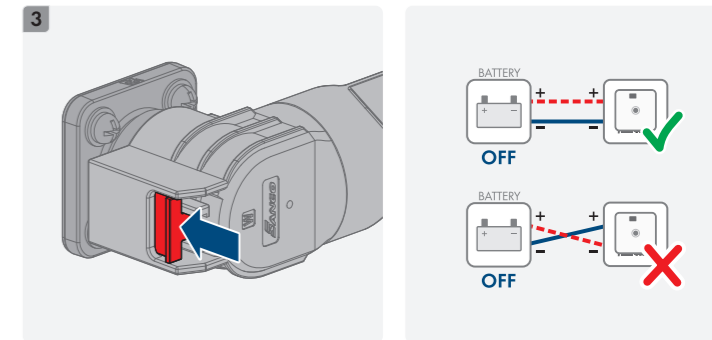
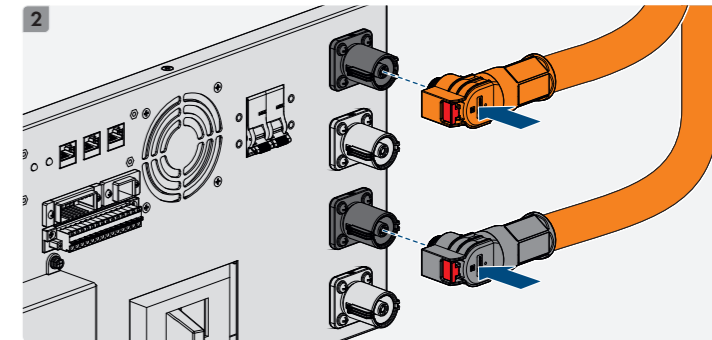
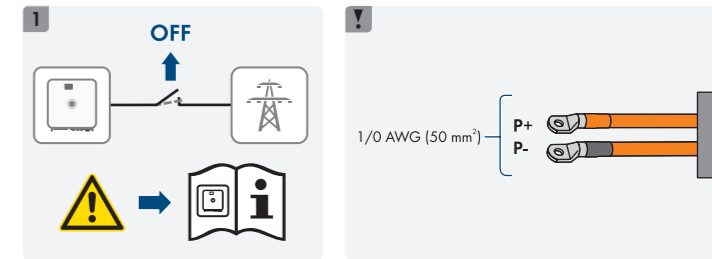
7



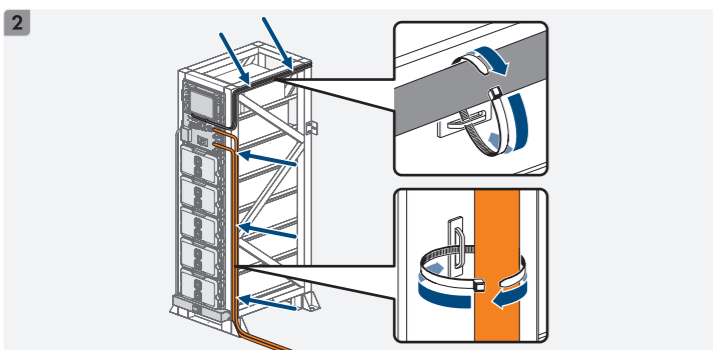
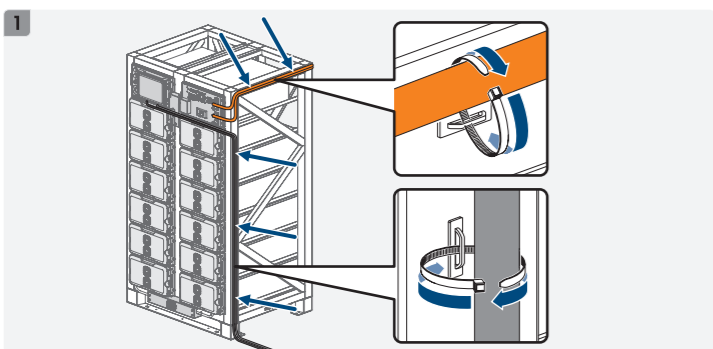
8



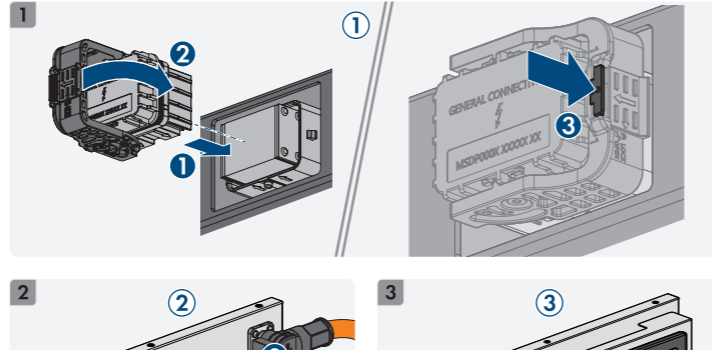
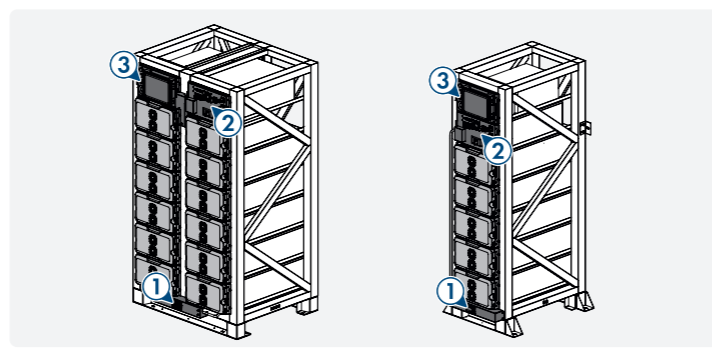
9



10



11



12



<https://go.sma.de/service>